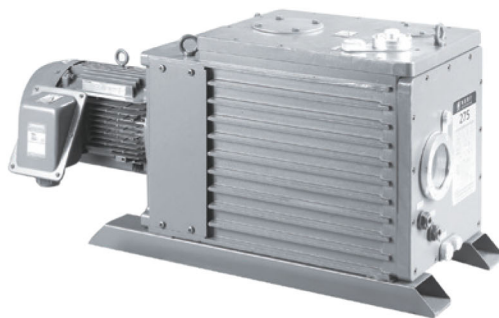


TWO STAGE ROTARY VANE VACUUM PUMP



TECHNICAL PARAMETER

MODEL			DRV3	DRV5	DRV10	DRV16
Pumping Rate	50Hz	m ³ /h (L/min)	3.6	5.4	9.9	14.4
	60Hz	m ³ /h (L/min)	4.3	6.5	12	17.4
Ultimate Pressure	Gas Ballast Closed	Pa	5X10 ⁻¹			
	Gas Ballast Opened	Pa	5			
Motor Power	380V (3 Phase)	kW	0.4 (4 Phase)			0.55(4 Phase)
	220V (Single Phase)	kW				
Oil Filling		L	0.7	0.7	1.1	1.2
Inlet		KF				KF25
Outlet		KF				KF25
Weight		kg	22.5	22.5	25	27

MODEL			BSV24	BSV30	BSV40	BSV60	BSV90
Pumping Rate	50Hz	m ³ /h (L/min)	20 (336)	30 (500)	40 (667)	60 (1000)	90 (1500)
	60Hz	m ³ /h (L/min)	24 (403)	36 (600)	48 (800)	72 (1200)	108 (1800)
Ultimate Pressure	Gas Ballast Closed	Pa	5X10 ⁻¹				
	Gas Ballast Opened	Pa	5.0	2.0			
Motor Power (4P)		kW	0.75	1.1	1.5	2.2	3.7
Voltage	3 Phase	V	380, 400				
Oil Filling		L	0.75~1.5	1.2~2.8		2.5~4.2	
Inlet		KF	25	40			
Outlet		KF	25	40			
Ambient Temp.		°C	5~40				
Weight		kg	32	63	65	87	101

MODEL			BSV175	BSV275
Pumping Rate	50Hz	m ³ /h	160	255
	60Hz	m ³ /h	196	306
Motor Rotational Speed	50Hz	r/min	1440	1440
	60Hz	r/min	1720	1720
Motor Power	3 Phase /4 Pole	kW	5.5	7.5
Ultimate Pressure	Gas Ballast Closed	Pa	5X10 ⁻¹	5X10 ⁻¹
	Gas Ballast Opened	Pa	2	2
Allowed Maximum Outlet Pressure	Gauge Pressure	MPa	0.05	0.05
Maximum Capacity of Water Vapor	-	kg/h	2.4	2.5
Inlet	JIS	DN	VG80	VG80
Outlet	JIS	DN	VG50	VG50
Oil Filling	Max	L	25	28
	Min	L	20	23
Cooling Water Requirement	Water Temp 20°C	L/h	80	120
Weight	With Motor	kg	230	255

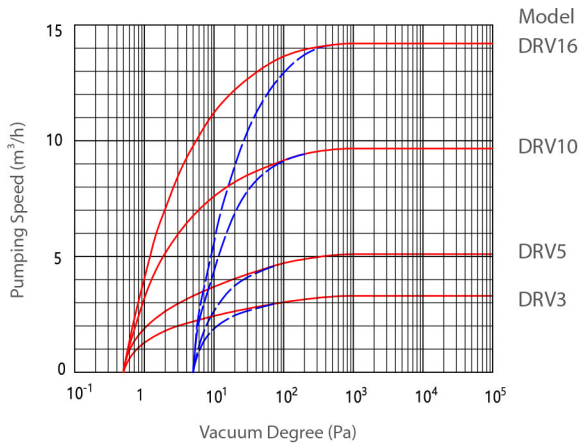
- The value of 'ultimate pressure' in the sheet is measured by Pirani gauge when the Baosi special pump oil is used, and the value should be 5X10⁻², if the Mcleod gauge be used.
- Therefore, the Baosi special pump oil is recommended to guarantee the pump performance.

PUMP RATE CURVE

DRV3[5 10 16]

Power supply: 380V 50HZ
 Vacuum gauge: Pirani Gauge
 Vacuum pump oil: Special oil BSO-46

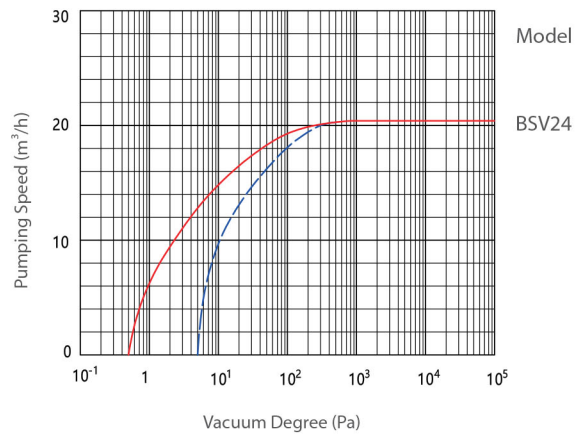
— Gas Ballast Closed - - - Gas Ballast Opened



BSV24

Power supply: 380V 50HZ
 Vacuum gauge: Pirani Gauge
 Vacuum pump oil: Special oil BSO-68

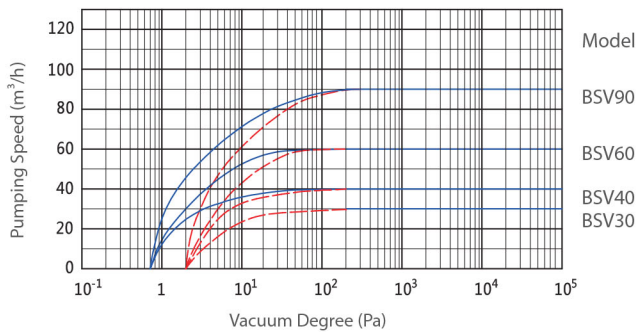
— Gas Ballast Closed - - - Gas Ballast Opened



BSV30[40 60 90]

Power supply: 380V 50HZ
 Vacuum gauge: Pirani Gauge
 Vacuum pump oil: Special oil BSO-68

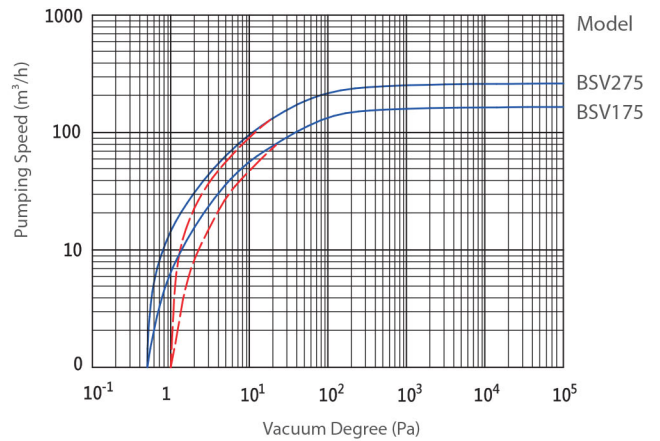
— Gas Ballast Closed - - - Gas Ballast Opened



BSV175[275]

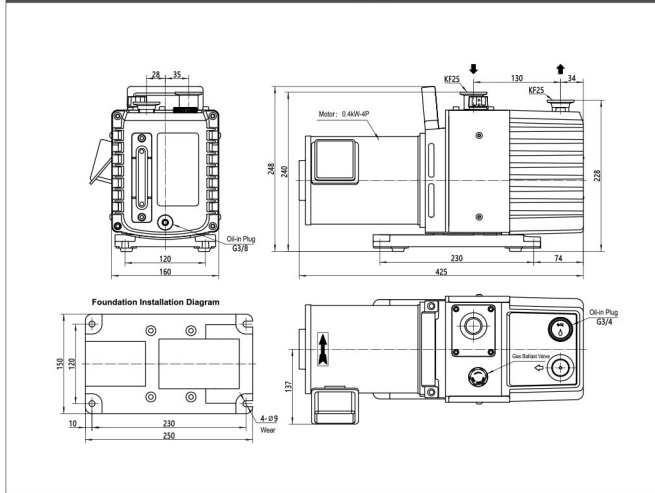
Power supply: 380V 50HZ
 Vacuum gauge: Pirani Gauge
 Vacuum pump oil: Special oil BSO-68

— Gas Ballast Closed - - - Gas Ballast Opened

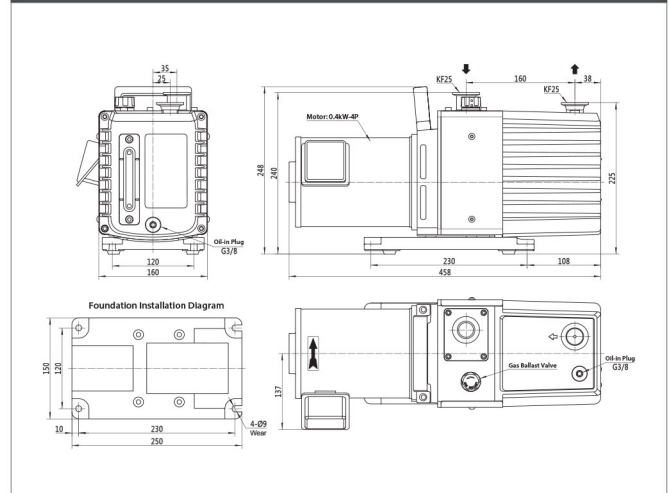


INSTALLATION DIAGRAM

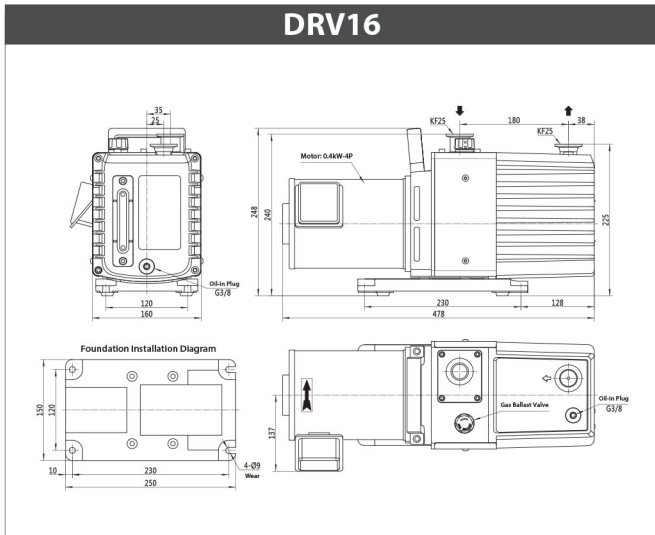
DRV3[5]



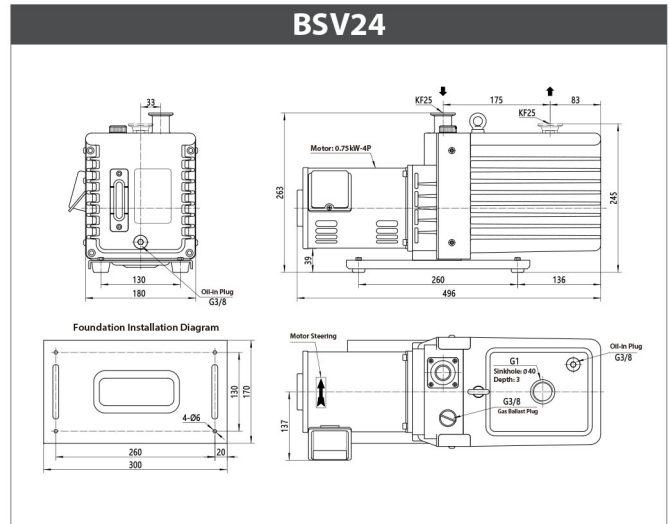
DRV10



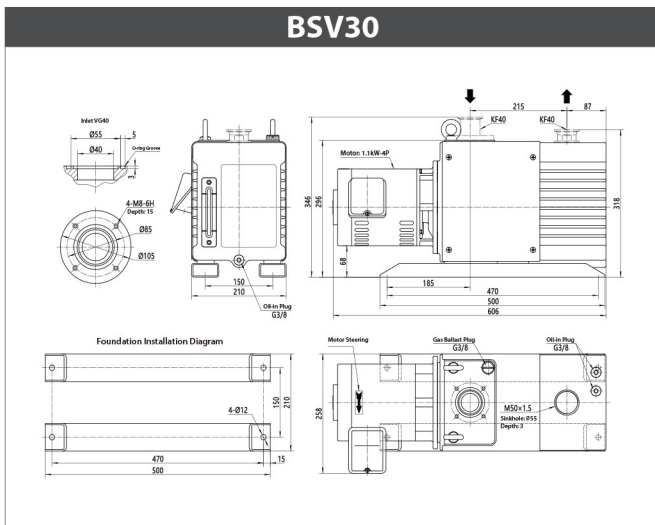
DRV16



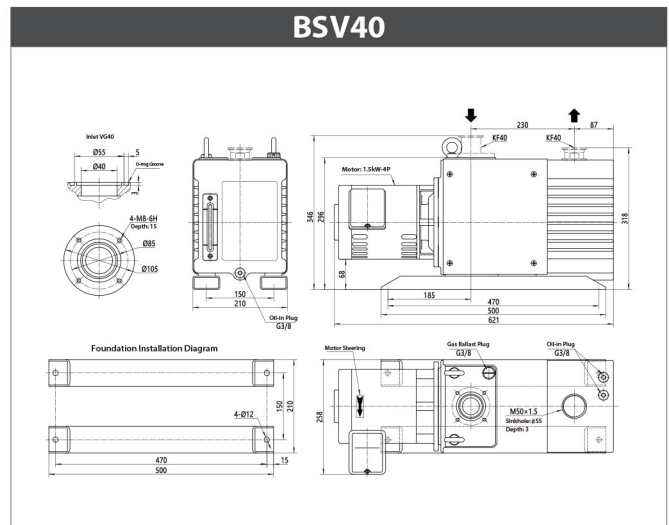
BSV24



BSV30

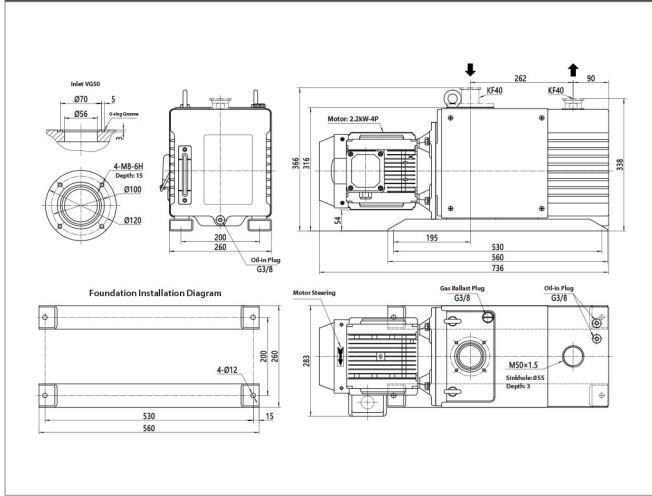


BSV40

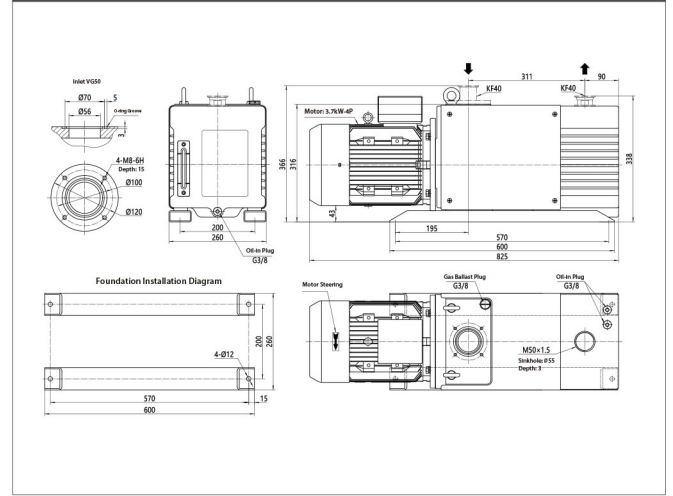


INSTALLATION DIAGRAM

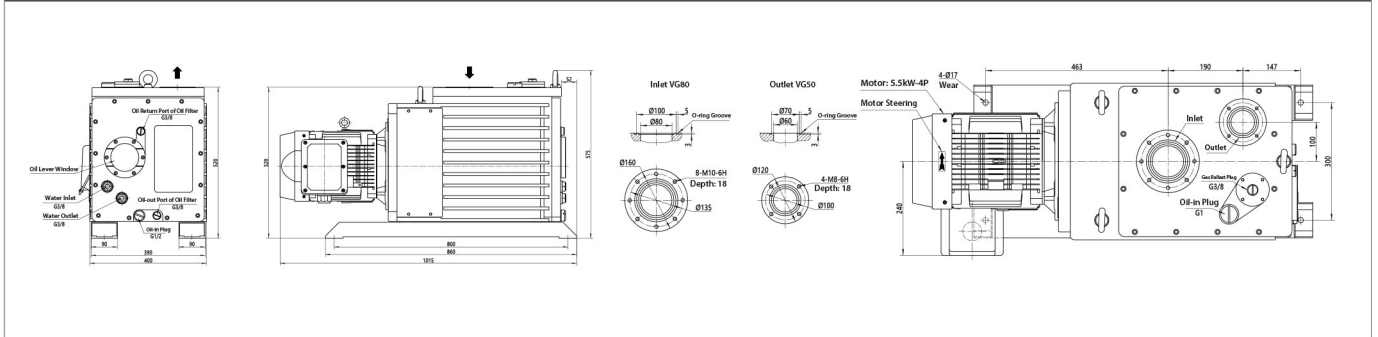
BSV60



BSV90



BSV175



BSV275

