



QC-639P(Q) Computerized Impact Tester

Standard

ISO13802, DIN53453, ASTM D256, ISO180, ASTM D6110, ISO179

Description

During the test, motion loss, wind resistance, and the energy error of the pendulum can be corrected in the PC -style pendulum impact instrument. Equipping with non-contact precision sensors can read a minimum angle of 0.05 degrees. A simple operation makes users directly view test energy value from display. It can be used in single operation mode, or can be operated via computer software.

Based on the capacity range of this model is suitable for use in testing impact strength tests of the polymer material. Controller can automatically calculate the energy absorbed by specimen during the testing process.

The precision of the pendulum is related with the accuracy of the test. Not only the accuracy of the pendulum energy but the center of mass will affect impact velocity and will generate the test error.

COMETECH is directed against the energy of each pendulum to do amendment so that each of the pendulums can have an accurate performance.

IZOD / CHARPY are two types of common tests; QC-639P can be carried out in different test methods by replacing the pendulum and vise type, which could save machine repeat purchases waste.

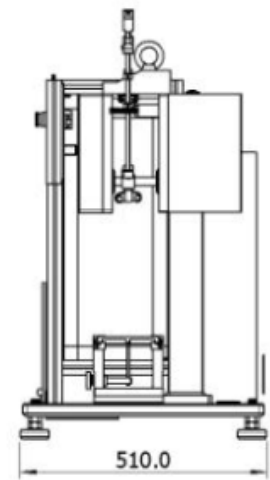
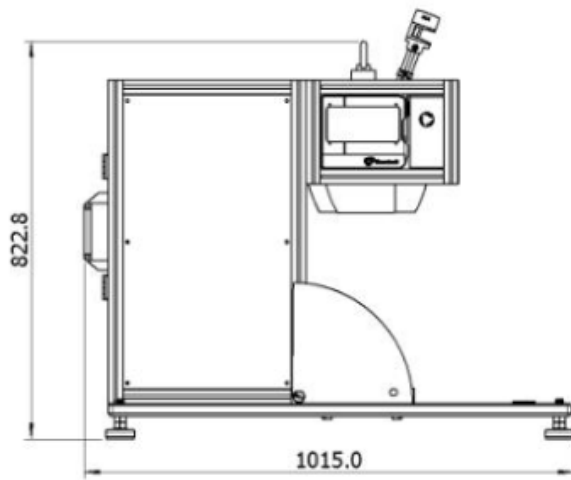
Industry

Plastic

Appearance



(Full protection cover impact tester)



QC-639P

Specification

Model	QC-639P	QC-639Q
Test Type	IZOD / CHARPY	
Test Maximum Capacity	Izod 1J~11J Charpy 1J~11J	Izod 1J~50J Charpy 1J~50J
Energy loss	< 2.5%	
Best test range	20 ~ 80% of the pendulum capacity	
Minimum display angle	0.05°	
Impact angle	150°	
PC-Port	TCP/IP	
Power	Single phase 100 ~ 240 V	
Dimension	96x42x75 cm	110x50x105cm
Weight	210 kg	300 kg

Features

1. As for test method, different pendulum and vise accessories are optional in accordance with different standards for self-installation use.
2. With specimen positioning device to reduce the error generated by clamping
3. Machine with high resolution, it can enhance precision especially for small capacity specimens
4. Automatically test by press button. It makes three seconds of warning sound to alert the user before the test
5. PC- type models do not need the remaining needles which can reduce the resistance and test error
6. The machine has a level to use to determine the machine's stability before test.
7. Automatic function, pendulum can automatically return to original position after impact.
8. Equipped with transparent protective cover, it is safer and more convenient to operate through machine buttons.
9. Can be stand-alone electronic touch display panel operation, the touch panel buttons can reduce the display damaged parts. Optional software which connects the computer to operate is easily to archive data and analysis.

Common Accessories

Izod Test



Izod Vise



Izod Hammer

Charpy Test



Charpy Vise



Charpy Hammer

Related Product

QC-9130(A) Digital Metal Impact Tester

QC-639C(D) Mechanic Impact tester

QC-640 V-shape notcher

*Cometech reserves ultimate modification right of product specification.



COMETECH TESTING MACHINES CO.,LTD.

No.49,Ln,39,Lianucn Rd, Fengyuan Dist, Taichung City420,Taiwan

Tel:886-4-25368881 / Fax:886-4-25368883

E-mail: sales@come-tech.com.tw / dahchang@ms25.hinet.net

URL: <http://www.come-tech.com.tw>

