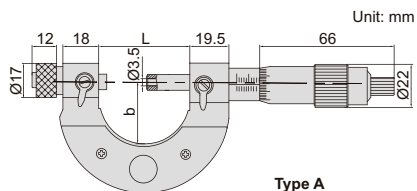




3639-25



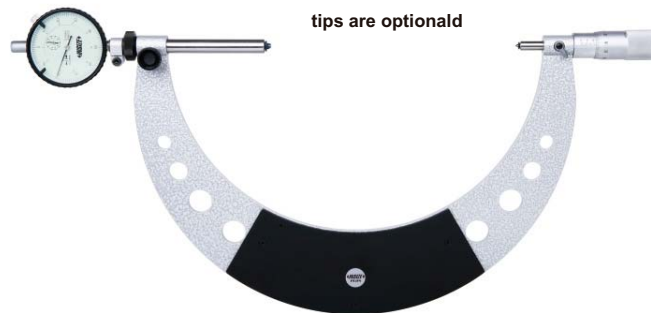
Type A

- Meet DIN863-3
- Measure pitch diameter of screw thread
- Graduation 0.01mm
- Optional accessory: measuring tips and setting standards for external screw thread micrometer (code **7384**), dial indicators or digital indicators (reading 0.01mm or 0.001mm) (only for type B)

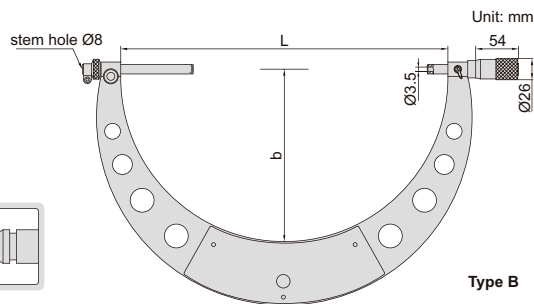
Type A (ratchet thimble)

Code	Range	Accuracy	L	b
3639-25 *	0-25mm	4µm	45mm	31mm
3639-50 *	25-50mm	4µm	70mm	35mm
3639-75 *	50-75mm	5µm	95mm	48.5mm
3639-100 *	75-100mm	5µm	120mm	60mm
3639-125 *	100-125mm	6µm	145mm	72.5mm
3639-150 *	125-150mm	6µm	170mm	80mm
3639-175 *	150-175mm	7µm	195mm	97.5mm
3639-200 *	175-200mm	7µm	220mm	110mm
3639-225 *	200-225mm	8µm	245mm	122mm

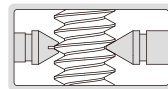
dial indicator is optional



3639-3001



Type B



Type B (without ratchet thimble)

Code	Range	Anvil retracting range	L	b
3639-2001 *	100-200mm	3mm	217mm	109mm
3639-3001 *	200-300mm	3mm	317mm	159mm
3639-4001 *	300-400mm	3mm	417mm	209mm

* Supplied with manufacturer inspection certificate traceable to DKD Germany