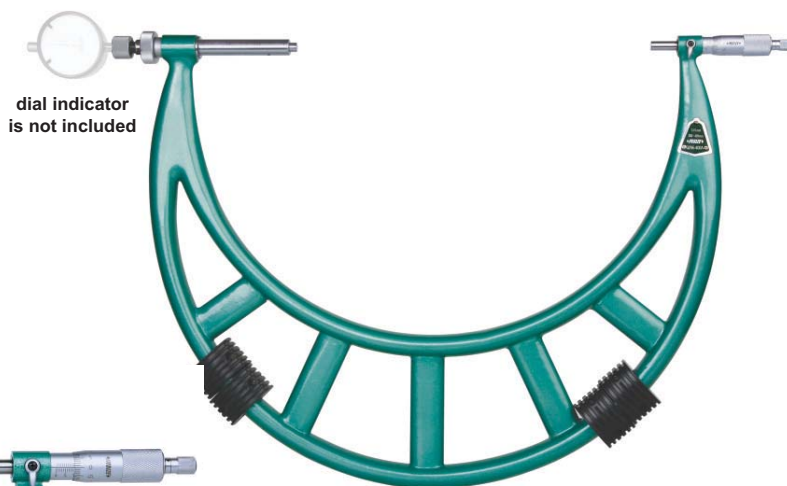


MICROMETER WITH DIAL INDICATOR

NOT SUITABLE FOR
0.001MM INDICATORS



dial indicator
is not included

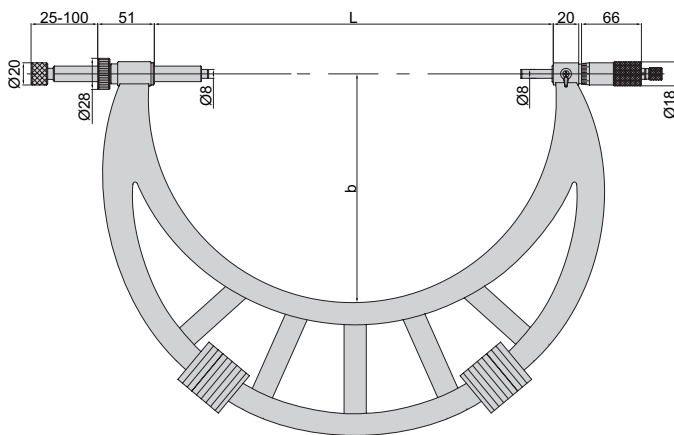
3296-400A



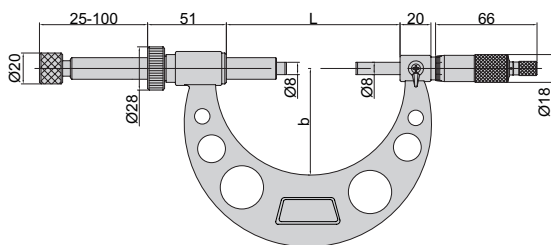
dial indicator
is not included

3296-100A

Unit: mm



Type B



Type A

(mm)

Code	Range	Type	Accuracy	L	b
3296-100A	0-100mm	A	6µm	115	68
3296-200A	100-200mm	A	7µm	215	120
3296-300A	200-300mm	A	8µm	315	170
3296-400A	300-400mm	B	9µm	415	225
3296-500A	400-500mm	B	10µm	515	275
3296-600A	500-600mm	B	11µm	615	325
3296-700A	600-700mm	B	12µm	715	375
3296-800A	700-800mm	B	13µm	815	430
3296-900A	800-900mm	B	14µm	915	480
3296-1000A	900-1000mm	B	15µm	1015	530

- Graduation 0.01mm
- Ratchet stop
- Carbide measuring faces
- Supplied with setting standards
- Optional accessory:
dial indicators (graduation 0.01mm)
digital indicators (resolution 0.01mm/0.0005")