

# WATERPROOF DIAL INDICATORS

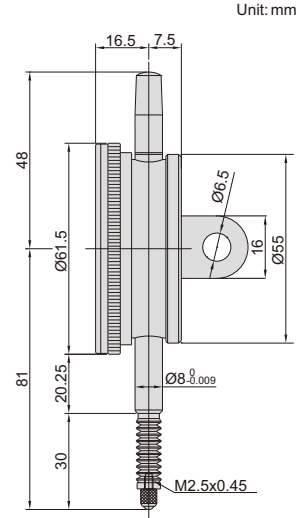
**IP54**  
WATERPROOF

**INSPECTION  
CERTIFICATE**  
TRACEABLE TO NIST



2324-10A

- Meet DIN878
- IP54 dust/waterproof
- With limit pointers
- Optional accessory: back, contact points



Code	Range	Graduation	Accuracy	Hysteresis	Range/rev	Dial reading	Remark
2324-10FA*	10mm	0.01mm	17µm	3µm	1mm	0-100	flat back
2324-10A*	10mm	0.01mm	17µm	3µm	1mm	0-100	lug back

\*Supplied with manufacturer inspection certificate traceable to NIST USA