

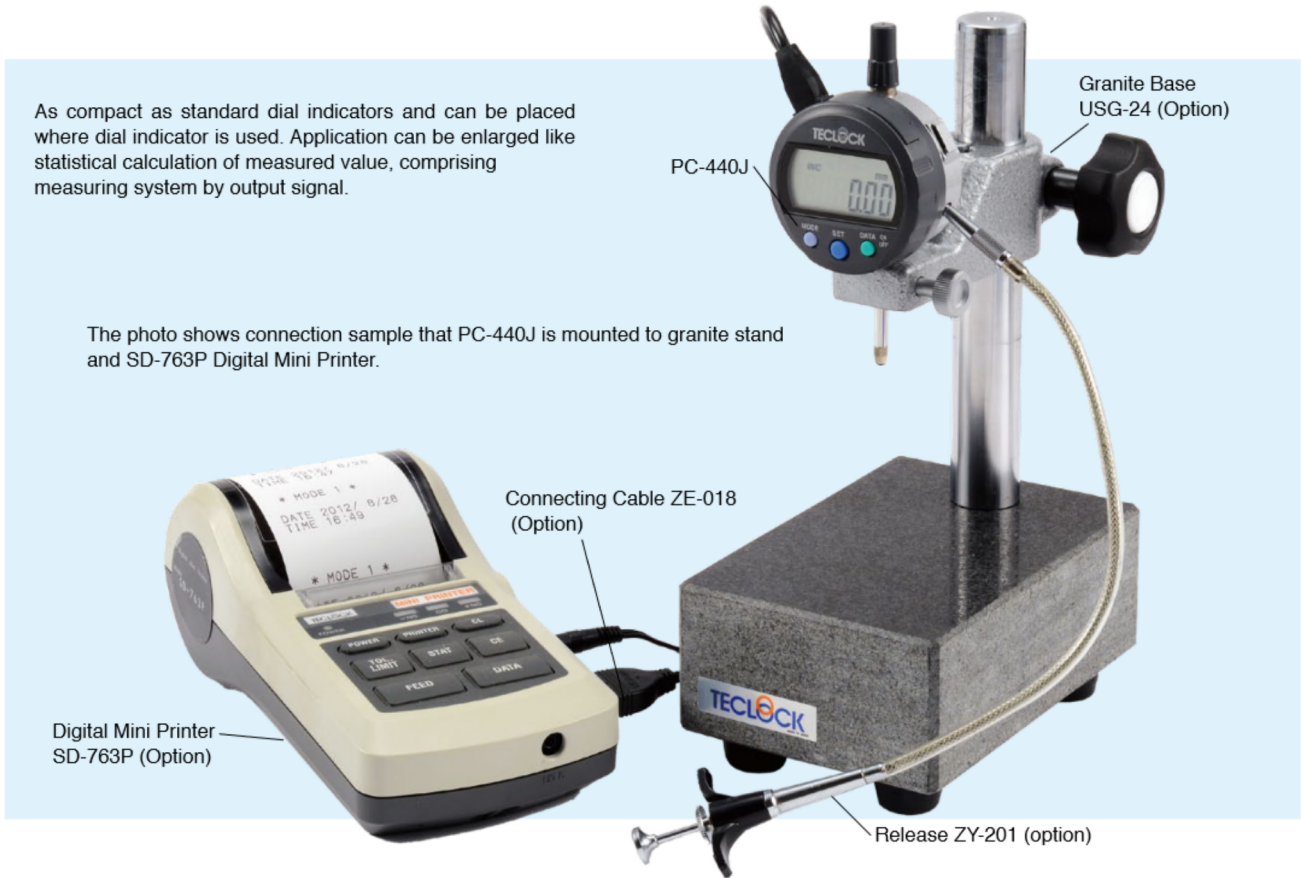
Electronic Equipment

Electronic Digital Indicator (0.01 / 0.001mm), PC-Series

- Data output and statistics transaction can be easily made by using digital indicator.
- 0.01mm and 0.001mm resolution digital indicators are available.
- Standard models are equipped with preset function and conventional models deleting preset functions are available.

As compact as standard dial indicators and can be placed where dial indicator is used. Application can be enlarged like statistical calculation of measured value, comprising measuring system by output signal.

The photo shows connection sample that PC-440J is mounted to granite stand and SD-763P Digital Mini Printer.



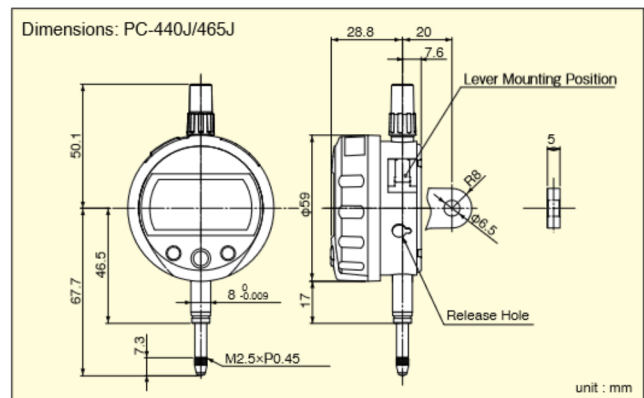
Measuring Range 12.7mm Type / Standard Model



PC-440J
Resolution 0.01mm
Measuring Range 12.7mm



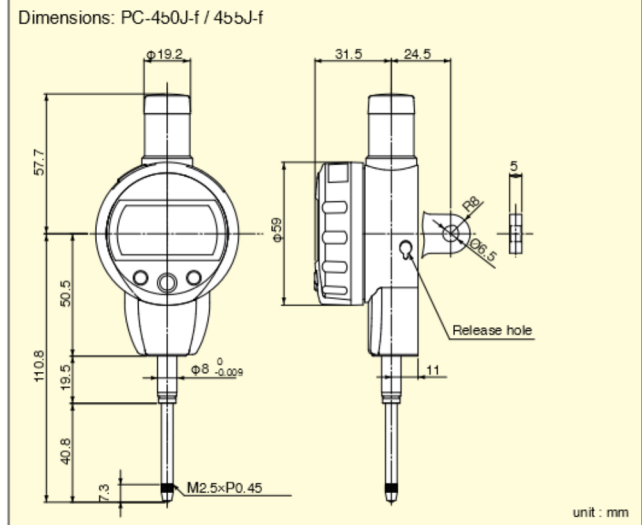
PC-465J
Resolution 0.001mm
Measuring Range 12.7mm



Supplied with Lug back as standard models.
Flat back and Lift lever are optional.

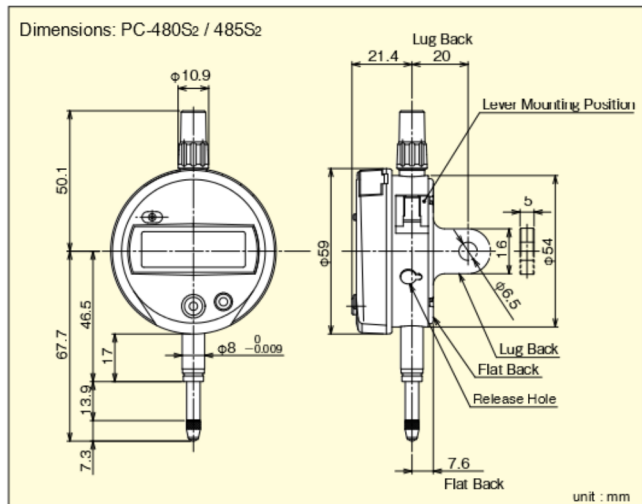


Measuring Range 25.4mm Type / Standard Model



Supplied with Flat back as standard models.
Lug back and Lift lever are optional.

Measuring Range 12.7mm Type / Popular Model



Supplied with Lug back as standard models.
Flat back and Lift lever are optional.

Specifications

Model	PC-440J	PC-465J	PC-450J-f	PC-455J-f	PC-480S2	PC-485S2
Measuring Range		0-12.7mm		0-25.4mm		0-12.7mm
Resolution	0.01mm	0.001mm	0.01mm	0.001mm	0.01mm	0.001mm
Accuracy	0.02mm*	0.003mm*	0.02mm or less	0.003mm	0.02mm or less*	0.003mm or less*
Maximum response speed	1000mm/sec	480mm/sec	480mm/sec	480mm/sec		Unlimited
Contact force	1.0N or less	1.5N or less*		1.8N or less*		2.0N or less*
Display	LCD display (6-digital & minus)				LCD display (5-digital & minus) LCD display (6-digital & minus)	
Operating temp	0-40°C					
Functions	Preset, Zero-set, Power ON/OFF, Counting direction switching, Digimatic code output				Origin-set, Power ON/OFF, Counting direction Switching, Digimatic code output Display rotation(330°)	
Power supply	SR44 (Button, Silver oxide cell)					
Battery life	Approx. 5,000hours in continuous service				Approx. 20,000hours in continuous service	
Contact Point	R=1.5mm (carbide)					
Contact point thread (ISO/JIS type)	M2.5xP0.45mm					
Weight		170g		186g	120g	150g

* The quantising error is not included.