

Infrared Thermometer KEW 5515

***Safety with non-contact
temperature measurements***



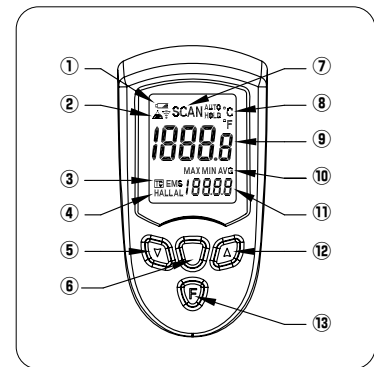
- **Single laser allows more accurate measurements.**
- **Back light display helps to read in a dark place.**
- **Dual display: Main display shows the measured values and Sub display shows either of max, min, average or thermocouple value.**
- **Alarm function: The upper and lower temperature limits can be set.**
- **The red blinking back light indicates that the measured value is below or over the pre-set limits.**
- **Temperature measurement with a K-type thermocouple is also possible.**



● KEW 5515 Specifications

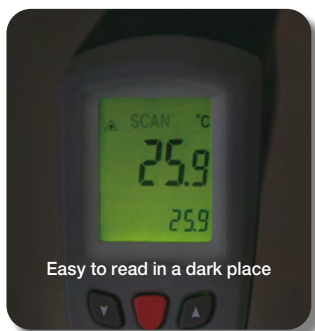
Infrared Thermometer	
Measuring range	-32 - 535°C
Accuracy	±3.0°C (-32 - -20 °C), ±2.0°C (-20 - +100°C), ±2%rdg (100 - 535°C)
Measuring element	Thermopile
Infrared spectral band	5 - 14µm
Measuring diameter	1000mm/φ78mm (Distance/ Measuring dia.: 12:1)
Repeatability	Within ±1°C
Emissivity	Variable between 0.10 and 1.00 (by 0.01 steps), Before shipment: 0.95
Collimation	Laser beam (630 - 670nm 1mW or less) specifies the center.
Thermocouple	
Thermocouple	K-type
Measuring range of thermocouple	-199 - 1372°C
Accuracy of thermocouple	±1.5%rdg+1°C (-40 - 1372°C)
Response	500ms
Resolution	0.1°C
Auto power off	If no key is pressed for 6 seconds, the power is shut off automatically.
LCD display	LCD with back light (blinks in red when alarm function is activated)
Dual display	Simultaneous display (Measured value and either of max, min, average or thermocouple value.)
Operating temperature & humidity	0 - 50°C/ 10 - 90% RH
Applicable standards	IEC 61326, IEC 61000-4-2, IEC 61000-4-3, IEC 61000-4-8
Battery	6F22(9V) × 1
Dimension	180 (L)×130 (W)×40 (D) mm
Weight	Approx. 195g (excluding battery)
Accessories	9152(Carrying case), 6F22(9V) × 1, Instruction manual

● Display / Buttons



- ① Battery mark
- ② Laser mark
- ③ Thermocouple TC
- ④ Upper/ Lower limit alarm [HAL/LAL]
- ⑤ Cursor button (Down)
- ⑥ Buzzer button
- ⑦ SCAN/ HOLD/ AUTO
- ⑧ Unit
- ⑨ Main display
- ⑩ MAX/ MIN/ AVG
- ⑪ Sub display
- ⑫ Cursor button (Up)
- ⑬ Function button

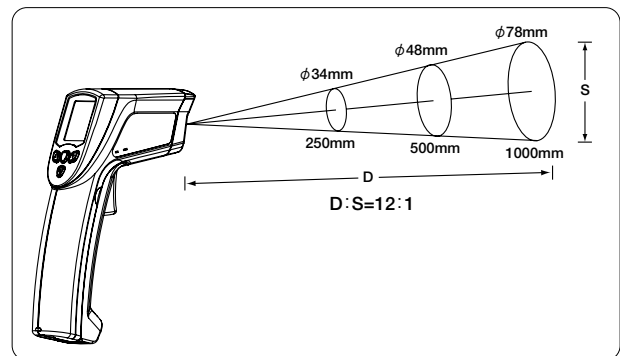
LCD back light



Dual display



● Relation of distance and measuring diameter



DANGER

The connector for thermocouple is not insulated. Do not make measurement using a thermocouple when there is a risk of electrical shock hazard.



WARNING

KEW5515 is one of the portable laser applied instruments which are regulated by the consumer product safety law.

- Do not look into the laser beam.
- Do not aim the laser beam at human beings.
- Keep the instrument out of children's reach.



Safety Warnings :

Please read the "Safety Warnings" in the instruction manual supplied with the instrument thoroughly and completely for correct use. Failure to follow the safety rules can cause fire, trouble, electrical shock, etc. Therefore, make sure to operate the instrument on a correct power supply and voltage rating marked on each instrument.

■ For inquires or orders :



**KYORITSU ELECTRICAL
INSTRUMENTS
WORKS, LTD.**

2-5-20, Nakane, Meguro-ku, Tokyo, 152-0031 Japan

Phone:+81-3-3723-0131

Fax:+81-3-3723-0152

E-mail:info-eng@kew-ltd.co.jp

www.kew-ltd.co.jp

