

TRANSMITTERS

Wireless humidity/temperature data loggers

Thanks to the data logging function, the data are not lost in the event of an interruption in wireless transmission and can be retrieved at any time.

Features

- Digital probe input for connection of all ROTRONIC HygroClip2 probes
- Probes can be interchanged without further adjustment
- Transmission distance: up to 100 m
- Integrated battery monitoring (HL-RC only)
- Operating range: -40...85 °C
- High storage capacity: up to 175,000 measured values (RH & T) with serial number, time and date
- Flash memory for data security in the case of power failures
- Long-term recording up to 6 years without battery replacement
- Data security: PIN for activation and data access
- Plastic housing, white, IP65

Order code

Device type

LOG-HC2-RC	Wireless humidity/temperature logger 433.92 MHz
HL-RC-B	Wireless humidity/temperature logger 433,92 MHz with battery monitoring
LOG-HC2-RC-US	Wireless humidity/temperature logger 915 MHz (US version)
HL-RC-B-US	Wireless humidity/temperature logger 915 MHz (US version) with battery monitoring



PROBES FOR THE LOG-HC2.

The HygroClip2 probes come in various versions. You can find exactly the probe you need: from simple plug in probes for handheld instruments and data loggers to highly developed cable probes for high temperature and high pressure applications. Common to all is the high precision the probes offer thanks to our patented AirChip3000. This technology is exactly what makes every probe in our range a high-end product for normal and industrial applications.

Standard climate probe



Probe with maximum accuracy for all climate measurements.

Operating range -50...100 °C, 0...100 %RH.

Mini probes



4 and 5 mm probes for measurements in confined spaces such as packaging etc. and for building material tests.

Operating range -40...85 °C, 0...100 %RH.

Industrial probe



Probe for process applications
Operating range 0...100%RH,
-100...200 °C and 0...100 bar.
Also available as screw-in probe.
Probe with maximum accuracy
for all climate measurements.

Contact us if you need assistance in selecting the most suitable probe for your application, we will be pleased to advise you.

Wireless temperature data loggers

PT1000 temperature probe integrated or remote with 30 cm cable

Features

- Accuracy: ± 0.1 K at 0 °C
- Temperature operating range: -40...+85 °C
- Integrated battery monitoring (HL-RC only)
- High storage capacity: up to 300,000 measured values with serial number, time and date
- Flash memory for data security in the event of power failures
- Long-term recording up to 6 years without battery replacement
- Transmission distance: up to 300 m (free field) with remote probe, 100 m with integrated temperature probe
- Data security: PIN for activation and data access
- Plastic housing, white, IP69 (submersible)

Order code

LOG-PT1000-RC

LOG-PT1000-RC-US

LOG-PT1000-ET030-RC

LOG-PT1000-30-RC-US

HL-RC-T

HL-RC-T-US

HL-RC-T030

HL-RC-T030-US

Device type

Wireless temperature logger 433.92 MHz

Wireless temperature logger 915 MHz (US version)

Wireless temperature logger with remote probe 433.92 MHz

Wireless temperature logger with remote probe 915 MHz (US version)

Wireless temperature logger 433.92 MHz with battery monitoring

Wireless temperature logger 915 MHz (US version) with battery monitoring

Wireless temperature logger with remote probe 433.92 MHz with battery monitoring

Wireless temperature logger with remote probe 915 MHz (US version) with battery monitoring



ACCESSORY

433 MHz ground plane antenna

Features

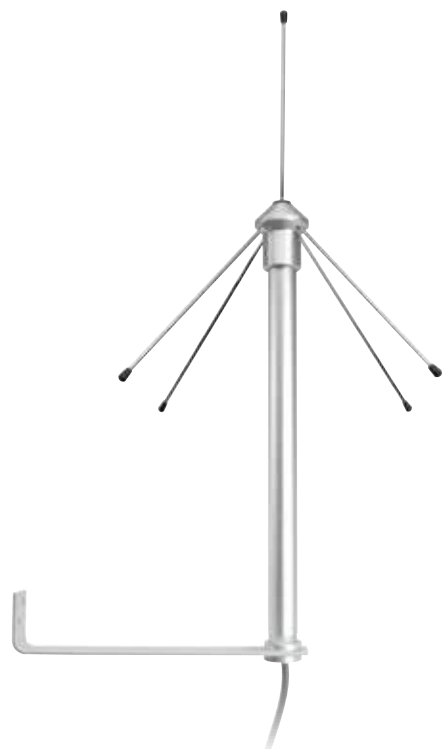
- Industrial antenna for improved reception
- Suitable for both indoor and outdoor use
- Incl. 2.5 m coaxial cable (50 ohms) and SMA connector
- Dimensions (Ø x H): 190 mm x 460 mm

Order code

LOG-AN-GP433

Device type

433 MHz Ground plane antenna, cable length 2.5 m



TECHNICAL INFORMATION.

Radio frequencies.

There are two radio frequencies available for transmission of the data: 915 MHz for the USA and 433.92 MHz for Europe and the rest of the world. These frequencies are ideal for optimal data transmission.

Range.

Depending on the type of transmitter and type of building, ranges of up to 300 meters.

Data logging/Transmission.

Up to 300,000 measured values can be stored in the wireless data logger. The data is transmitted and recorded continuously as long as the wireless data logger is located in the vicinity of a receiver (LAN interface, USB wireless adapter). If the distance between the transmitter and receiver is too large or the wireless connection is lost, the data is nevertheless recorded. In this way it is ensured that no data is lost.

	LOG-HC2-RC-(US) HL-RC-B	LOG-PT1000-RC-(US) HL-RC-T	LOG-PT1000-ET HL-RC-T030
Type	Data logger for humidity and temperature HC2 probes	Temperature logger	Temperature logger with remote sensor
Sensor	IN-1	Pt100 (HC2)	Pt1000
Accuracy	Probe dependent	± 0.1 K at 0 °C	
Measurement range	Probe dependent	-40 ... 85 °C	-40...85 °C -90...180 °C (optional)
Radio frequency	433.92 MHz (US: 915 MHz)		
Storage capacity	175,000 measured values (%RH & °C)	300,000 measured values (°C)	
Logging interval	1 min. to 12 h		
Power supply	Lithium (Li-SOCl ₂) battery 2400 mAh		
Battery life	Up to 6 years depending on logging interval (1 h)		
Battery status indicator	Via software, recording of battery voltage and internal temperature		
Transmission distance	Max. 100 m (free field)		Max. 300 m (free field)
Data security	4-digit PIN (access code for activation/reading)		
Dimensions without probe	140 mm x Ø 20 mm		
Housing material	POM (housing) / PUR (cable)		
Protection	IP-65	IP-69	
Norm	EN 12830		
Software	HW4 V3.2 or higher		
Order code	LOG-HC2-RC	LOG-PT1000-RC	LOG-PT1000-ET030-RC
Order code (US)	LOG-HC2-RC-US	LOG-PT1000-RC-US	LOG-PT1000-ET-RC-US

	LAN interface-(US)	USB wireless adapter-(US)
Type	100 MBit Ethernet LAN interface	Local readout device for data logger to PC
Radio frequency	433.92 MHz (US: 915 MHz)	
Power supply	Via AC adapter, 5 V, min. 200 mA, included in the delivery package	USB power supply via PC
Dimensions	30 mm x 130 mm x 80 mm	15 mm x 77 mm x 20 mm
Software	HW4 V3.2 or higher	
Order code	LAN-INTERFACE	LOG-DS-EXT
Order code (US)	LAN-INTERFACE-US	LOG-DS-EXT-US