

## GDAG-A Safety Tools Test Set



The model GDAG-A series is used to test insulation performance for insulation gloves, boots, mats, hats, rod, electroscope etc.

### Automatic control unit

- 7inch color LCD screen, with PLC automation control.
- HV Voltage, LV voltage, LV current measured at the same time, with high precision sensor and high performance collection chip.
- Automatic mode and manual mode for option.
- Display HV voltage, LV voltage, LV current, time and withstanding result.

- Over-voltage and over-current protection. Output voltage, HV current upper limit, LV current upper limit and timing can be set.
- Zero-starting function. Test can be proceed after the voltage is back to zero.
- Store up to 8000pcs data in 3months. It has USB port to upload data to USB disk.
- When setting voltage is arrived, it will timing automatically. After timing, voltage will be back to zero.
- When the LV current is over setting value, the voltage will be cut off automatically and it will be back to zero. When the HV current is over setting value, the test object will be cut off and test can be proceed continuously.
- With anti-interference ability, suitable for electromagnetic environment.
- With wheels for both control unit and HV unit, easy to move.

#### Other features

- HV source is oil immersed type testing transformer.(dry type and SF6 gas type for option.)
- It is suitable for testing insulation gloves(boots), 6-110kV insulation rod and 6-110kV electrocope.
- To make test for insulation gloves and boots, the HV electrode is chain type, which the height can be adjusted. The material is stainless steel with CU/EpNi5bc painted, which make surface discharge<10pc. 6pcs insulation barrels are also supplied. The HV electrode also can be made by tank type.

- The electrode of insulation boots is red cooper voltage-sharing type, the HV inside the bottom of boots are equal distribution. 4mm steel balls supplied, not using traditional way that injecting water.
- With insulation rod stand to make withstand voltage and leak test for insulation rod.
- With electroscope testing device to make start voltage, in-phase, out-phase interference test for electroscope.
- With electrode for withstand voltage and leak test of insulation mat and blanket.
- Control unit and HV unit are separate, to ensure safety.
- If there is breakdown or over limits, the HV output will be cut off automatically and alarm.

Model No.	Display	Test number	Sampling mode	Eletrode type	Application
GDAG-6 5A	7inch LCD touch screen	6	Milliammeter	Plastic Barrel or Stainless steel tank	10kV and below
GDAG-6 10A	7inch LCD touch screen	6	Milliammeter		35kV and below

GDAG-6 15A	7inch LCD touch screen	6	Wireless Milliamme ter		110kV and below
---------------	---------------------------------	---	------------------------------	--	--------------------

Remark: If making 8-10pcs insulation gloves/boots test, the capacity should be increased. If making test for 220kV and above insulation rod, motorized lifting electrode of insulatio rod is suggested.

The electrode device of insulation rod(ladder), electroscope, insulation mat(blanket), insulation rope, insulation cover or insulation clothes can be added according to the requirement.




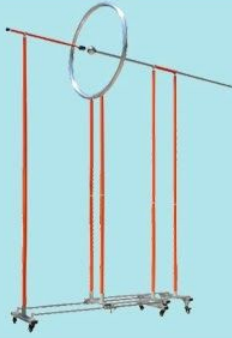






GDAG-65A



GDAG-610A



GDAG-615A

		
<p><b>GDY-35 Electrostatic Testing Device</b></p>	<p><b>GDY-330 Electrostatic Testing Device</b></p>	<p><b>GDY-500 Electrostatic Testing Device</b></p>
		
<p><b>GDJ-100/3 Electrode of Insulation Rod</b></p>	<p><b>GDJ-300/2 Electrode of Insulation Rod</b></p>	<p><b>GDJ-500 Electrode of Insulation Rod (Motorized lifting)</b></p>
		
<p><b>GDD Electrode of Insulation Mat(Blanket)</b></p>		<p><b>GDS Electrode of Insulation Rope</b></p>