



FCZ-IV Discharge Counter Calibrator



General Information

FCZ-IV Discharge Counter Calibrator for Lightning Arrester is used to verify the reliability of various arrester counter action. The reliability of counter action is very important for power system. It is an important parameter to record the number of lightning strikes of arrester in normal operation. It can provide an important basis for the personnel of power system to test the arrester. This instrument is mainly used for high voltage arrester above 35kV.

Features

- Small size, light weight;
- Easy to carry;
- Good reliability;
- Simple operation.

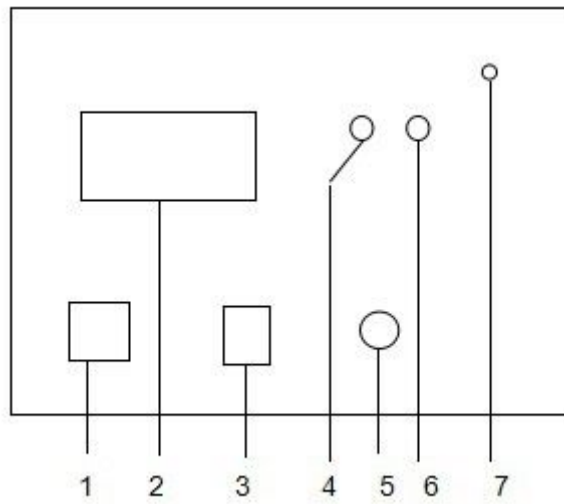
Specification

Power supply	AC220V±10%, 50Hz±2%
Impulse current	≥100A (8/20μs)
Dimension	325*240*200mm
Weight	about 5kg

Accessories

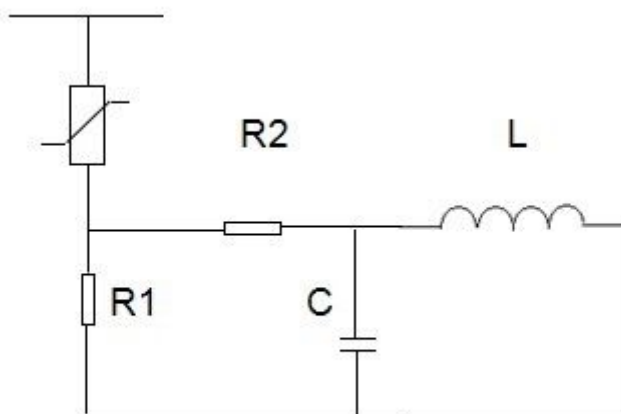
Main Unit	1piece
Power cord	1piece
Test lead (black and red)	2pcs
User's guide	1copy
Factory test report	1copy

Panel Introduction



- | | |
|---------------------|---------------------|
| 1. Power socket | 5. Test |
| 2. Voltage meter | 6. Output voltage - |
| 3. Power switch | 7. Ground terminal |
| 4. Output voltage + | |

Wiring diagram for counter



Working principle of main unit

